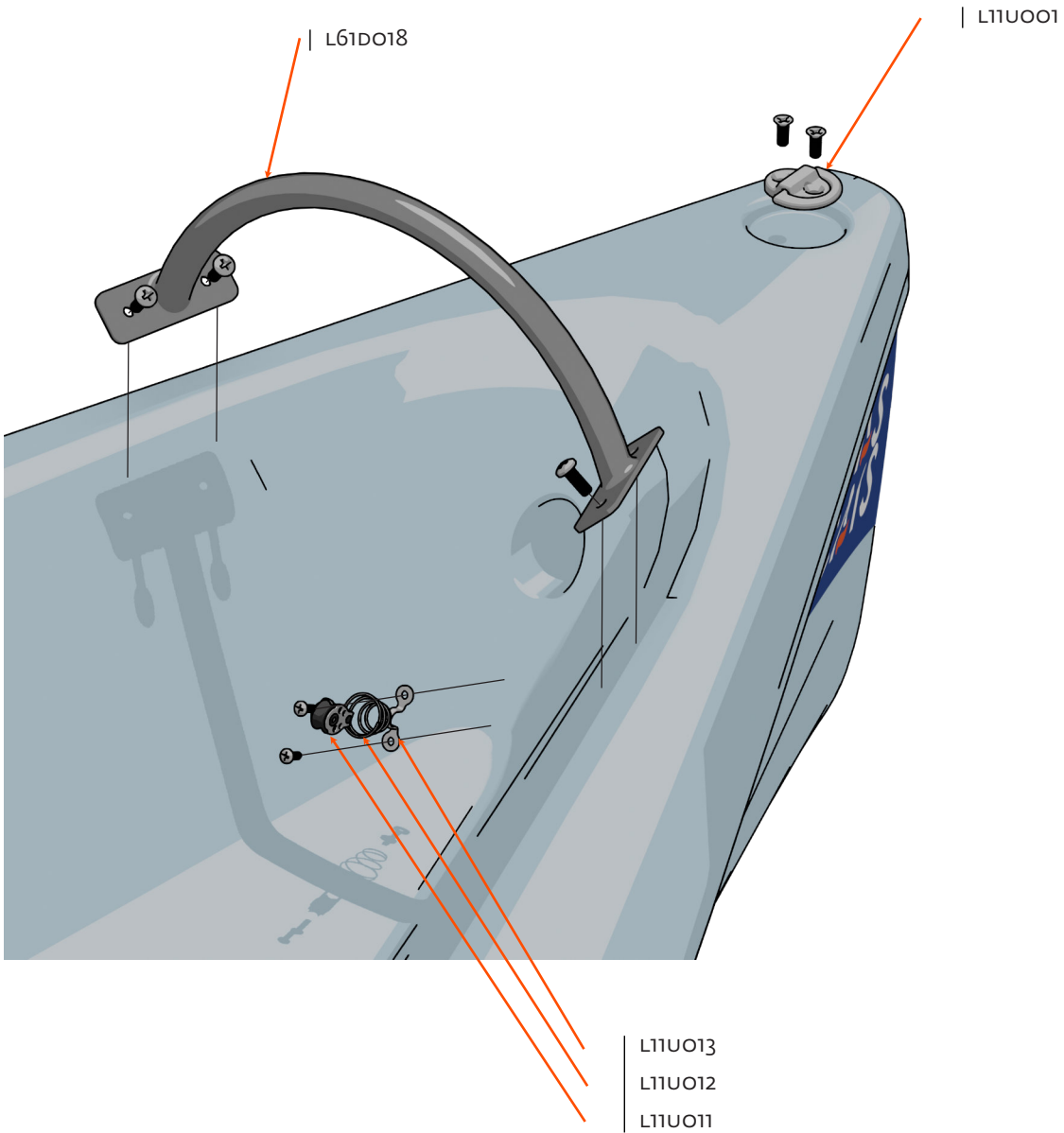




CASCAIS FUN

PARTS LOCATOR

BOW

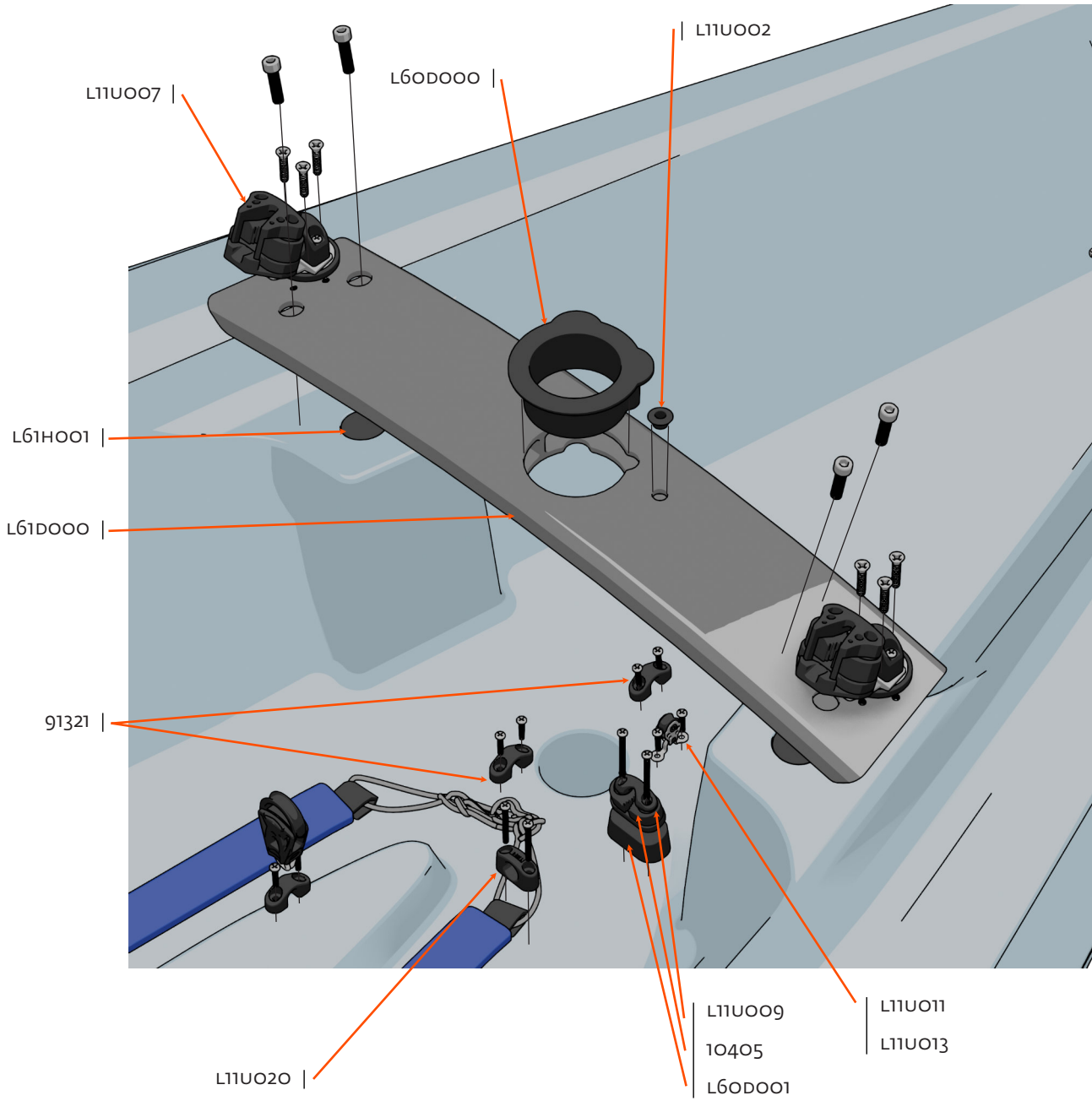


CASCAIS FUN PARTS LOCATOR

PART NUMBER	PART NAME
L11U011	20MM BLOCK
L11U012	SPRING
L11U013	EYE STRAP
L11U001	FOLDING PAD EYE
L61D018	GENNAKER HOOP



MAST STEP

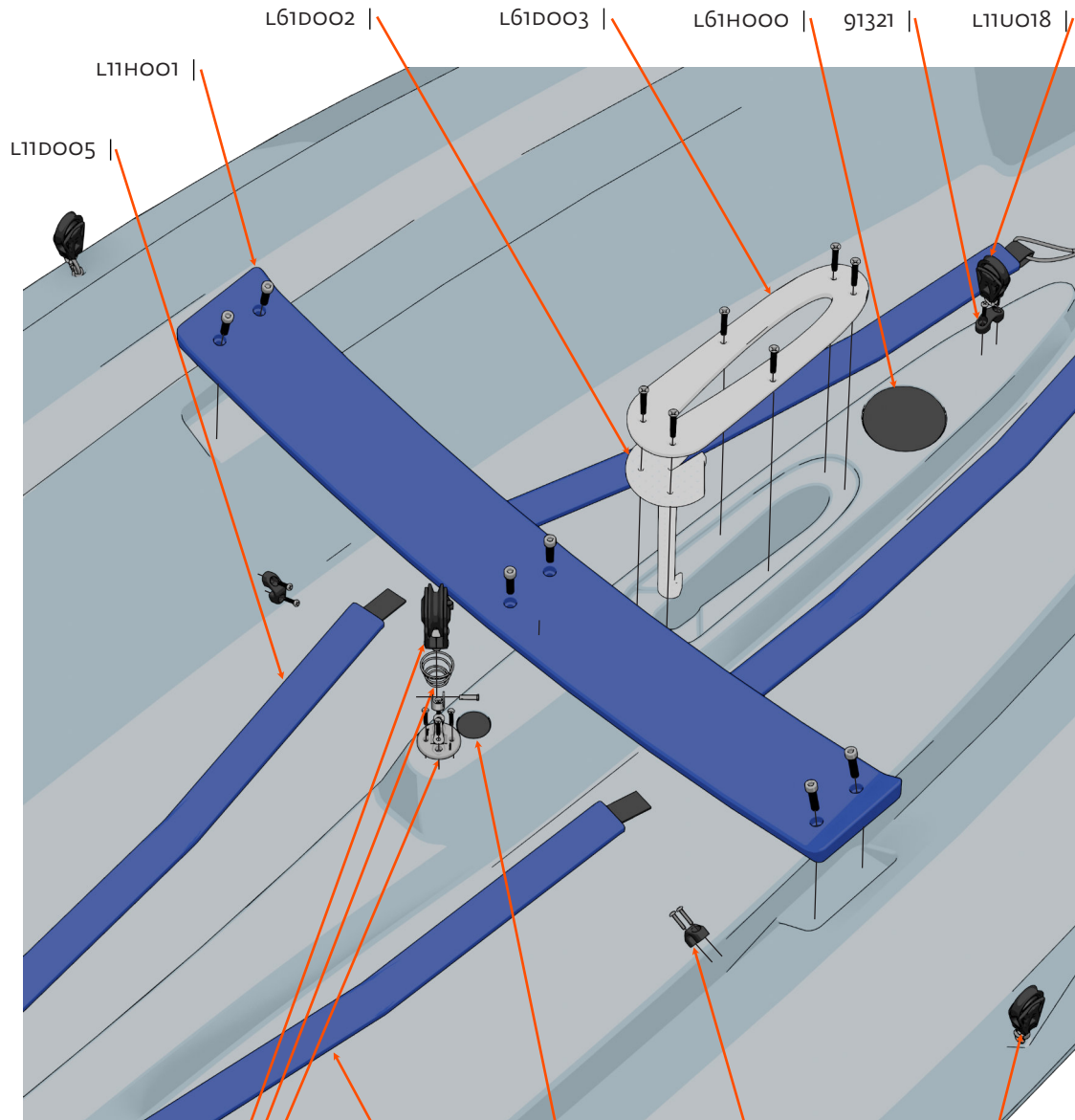


CASCAIS FUN PARTS LOCATOR

PART NUMBER	PART NAME
L11U007	JIB SHEET JAMMER
L60D000	THWART COLLAR
L11U002	DECK BUSH
L61D000	MAST THWART
91321	FAIRLEAD
L11U020	GENNAKER FAIRLEAD
L11U009	GENNAKER CAM CLEAT FAIRLEAD
10405	GENNAKER CAM CLEAT
L60D001	GENNAKER CAM CLEAT SPACER
L11U011	20MM BLOCK
L11U013	EYE STRAP
L61H001	HULL PLUG 33.5 MM



AMIDSHIP



CASCAIS FUN PARTS LOCATOR

91519A
MH00189A
L11U003

L11H001

L61D002

L61D003

L61H000

91321

L11U018

L11D005

L11D004

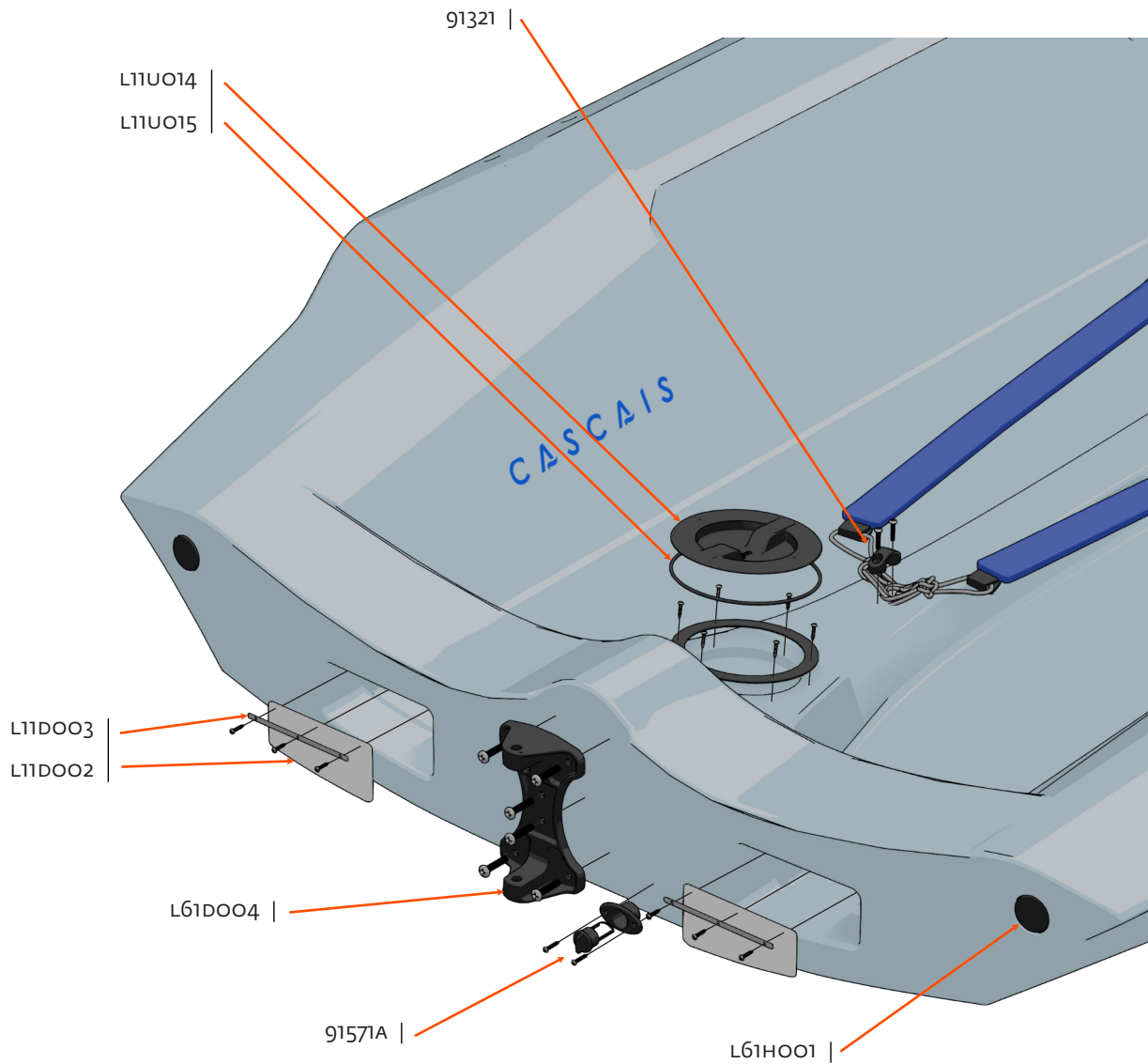
L61H002

91321

L11U018

PART NUMBER	PART NAME
L11H001	SEAT
L61D002	DAGGERBOARD REAR BUFF
L61D003	DAGGERBOARD TOP PLATE
L11U018	40 MM BLOCK
91321	FAIRLEAD
L11D005	PORT HIKING STRAP
L11D004	STARBOARD HIKING STRAP
91519A	MAINSHEET BLOCK
MH00189A	MAINSHEET BLOCK SPRING
L11U003	MAINSHEET PAD EYE
L61H000	HULL PLUG 95 MM
L61H002	HULL PLUG 15 MM

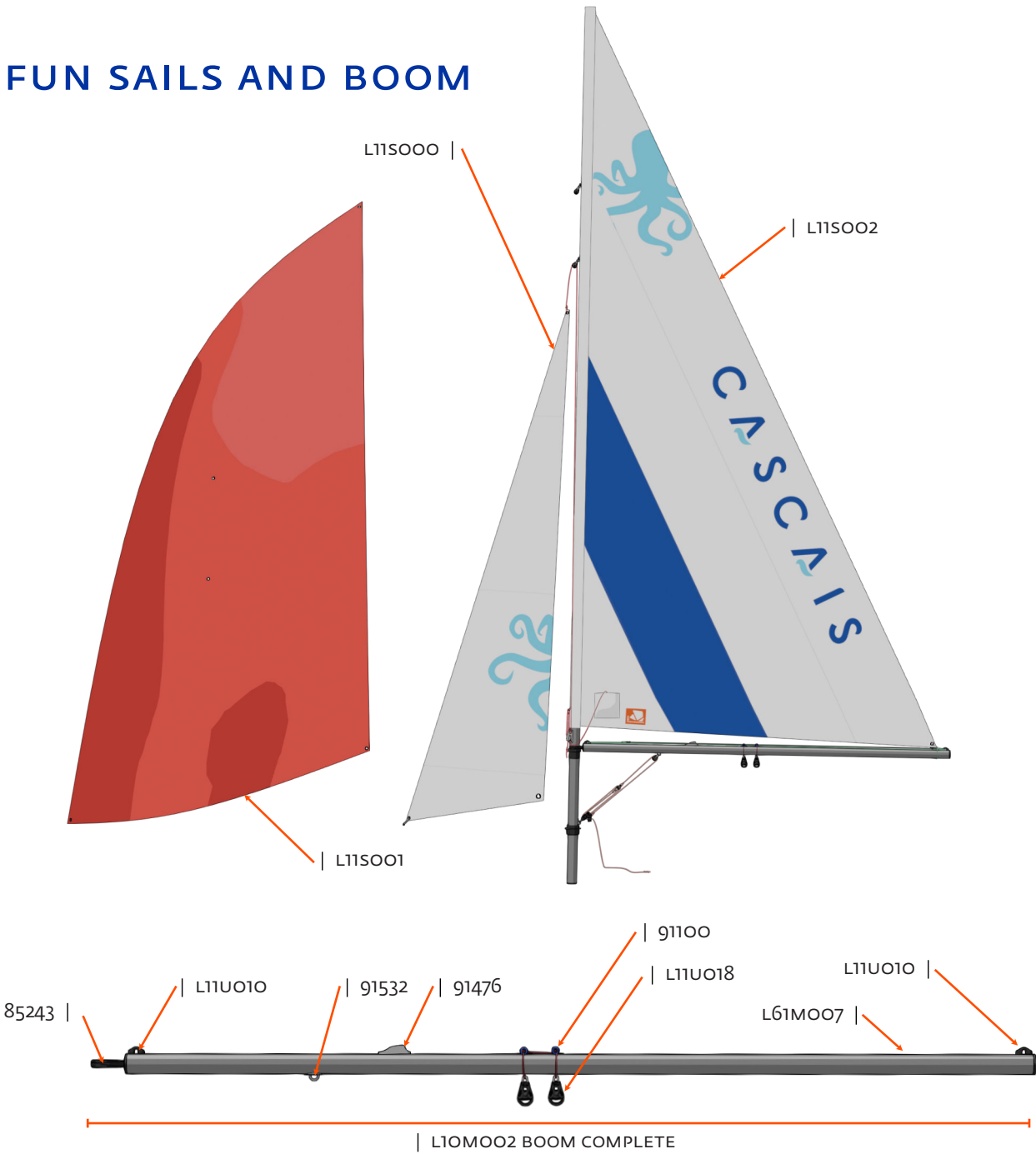




PART NUMBER	PART NAME
91321	FAIRLEAD
L11U014	INSPECTION PORT
L11U015	RUBBER SEALING RING
L11D003	TRANSOM FLAP
L11D002	TRANSOM CLIP
L61D004	GUDGEON
91571A	DRAIN BUNG AND SOCKET
L61H001	HULL PLUG 33.5 MM



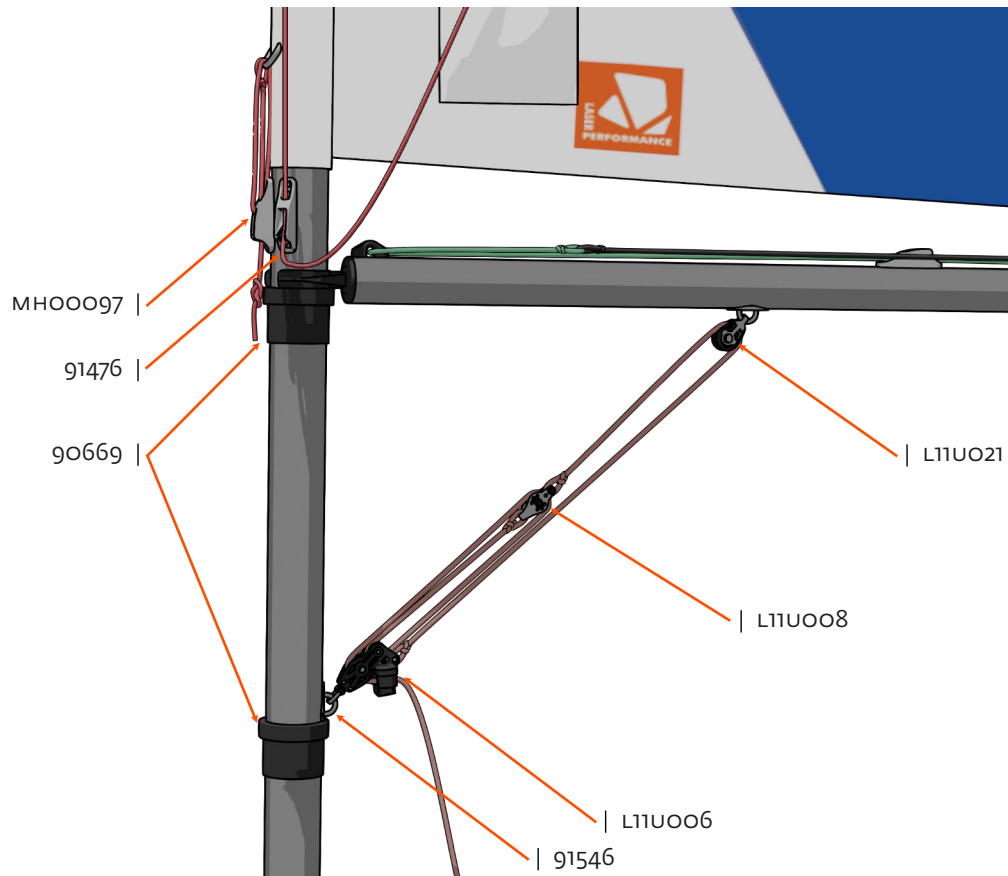
FUN SAILS AND BOOM



CASCAIS FUN PARTS LOCATOR

PART NUMBER	PART NAME
L11S000	BLUE TIDE JIB
L11S002	BLUE TIDE MAIN SAIL
L11S001	ORANGE GENNAKER
85243	GOOSENECK
91100	BOOM EYE STRAP
L11U018	BOOM MAIN SHEET BLOCKS
91532	BOOM VANG EYE PLATE
91476	BOOM CAM CLEAT
L11U010	BOOM FAIRLEAD
L61M007	BOOM SPAR
L10M002	BOOM COMPLETE

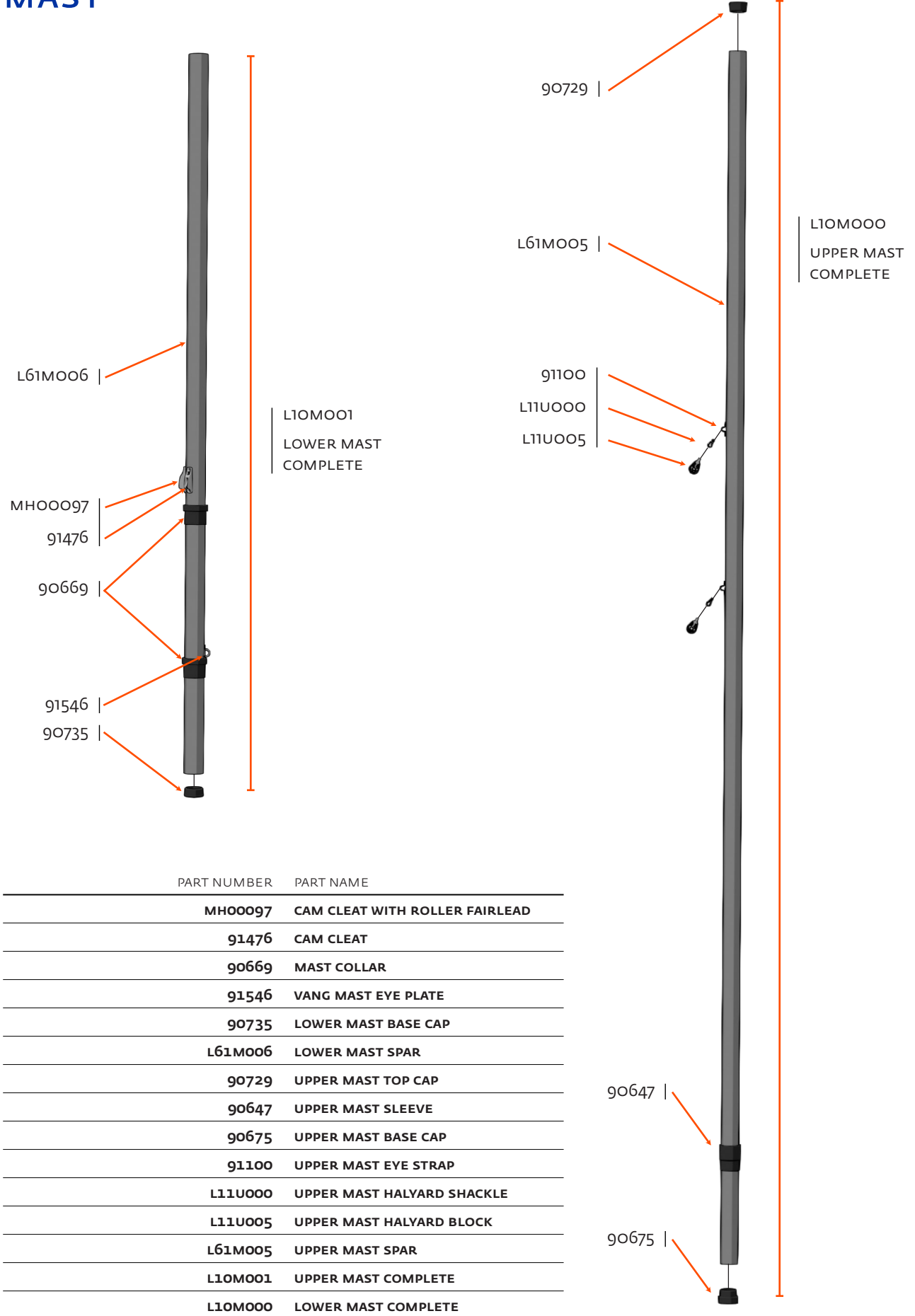




PART NUMBER	PART NAME
MH00097	CAM CLEAT WITH ROLLER FAIRLEAD
91476	CAM CLEAT
90669	MAST COLLAR
91546	VANG MAST EYE PLATE
L11U006	VANG BLOCK WITH JAMMER
L11U008	VANG BLOCK WITH BECKET
L11U021	VANG UPPER BLOCK

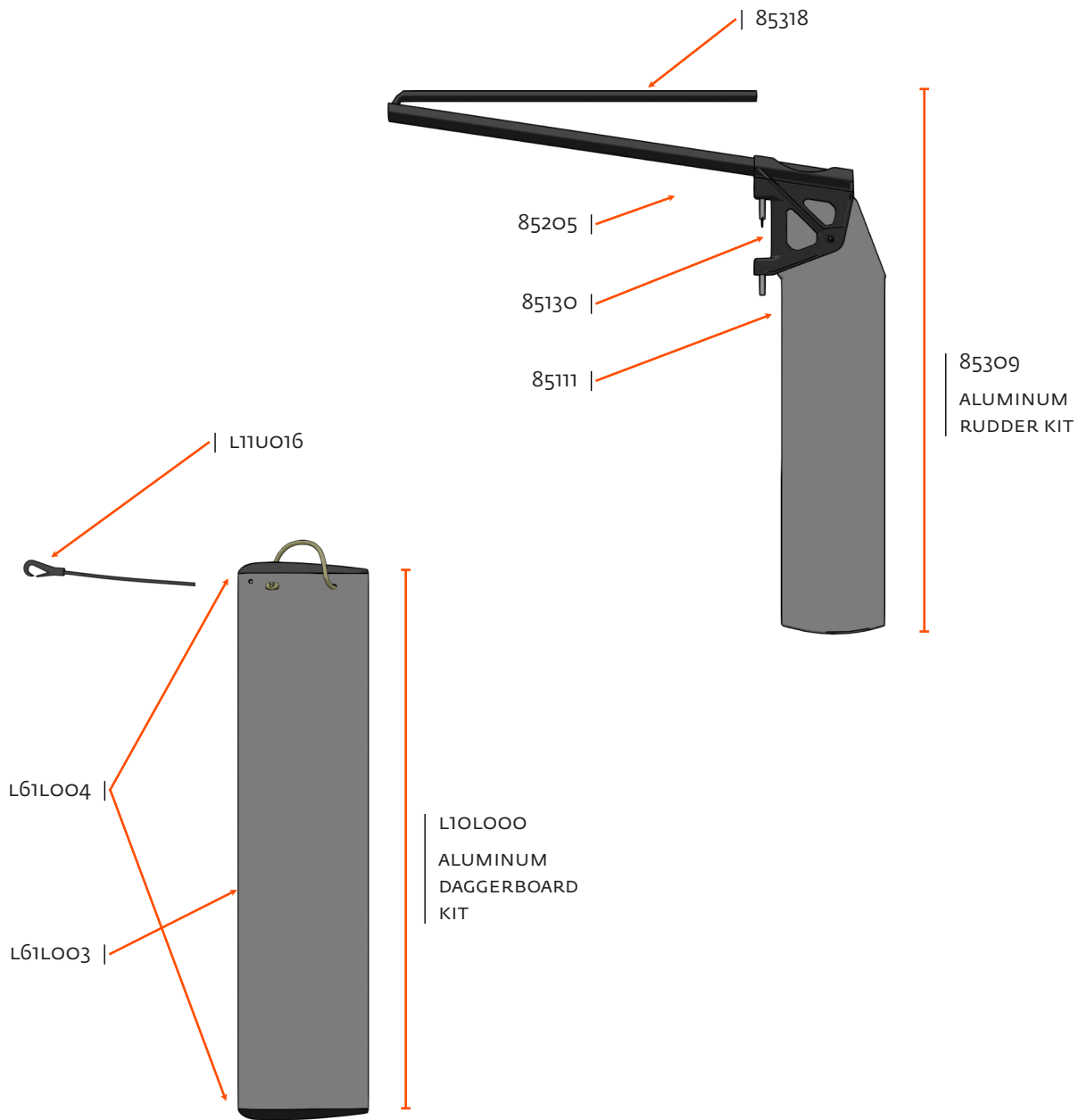


MAST



PART NUMBER	PART NAME
MH00097	CAM CLEAT WITH ROLLER FAIRLEAD
91476	CAM CLEAT
90669	MAST COLLAR
91546	VANG MAST EYE PLATE
90735	LOWER MAST BASE CAP
L61M006	LOWER MAST SPAR
90729	UPPER MAST TOP CAP
90647	UPPER MAST SLEEVE
90675	UPPER MAST BASE CAP
91100	UPPER MAST EYE STRAP
L11U000	UPPER MAST HALYARD SHACKLE
L11U005	UPPER MAST HALYARD BLOCK
L61M005	UPPER MAST SPAR
L10M001	UPPER MAST COMPLETE
L10M000	LOWER MAST COMPLETE

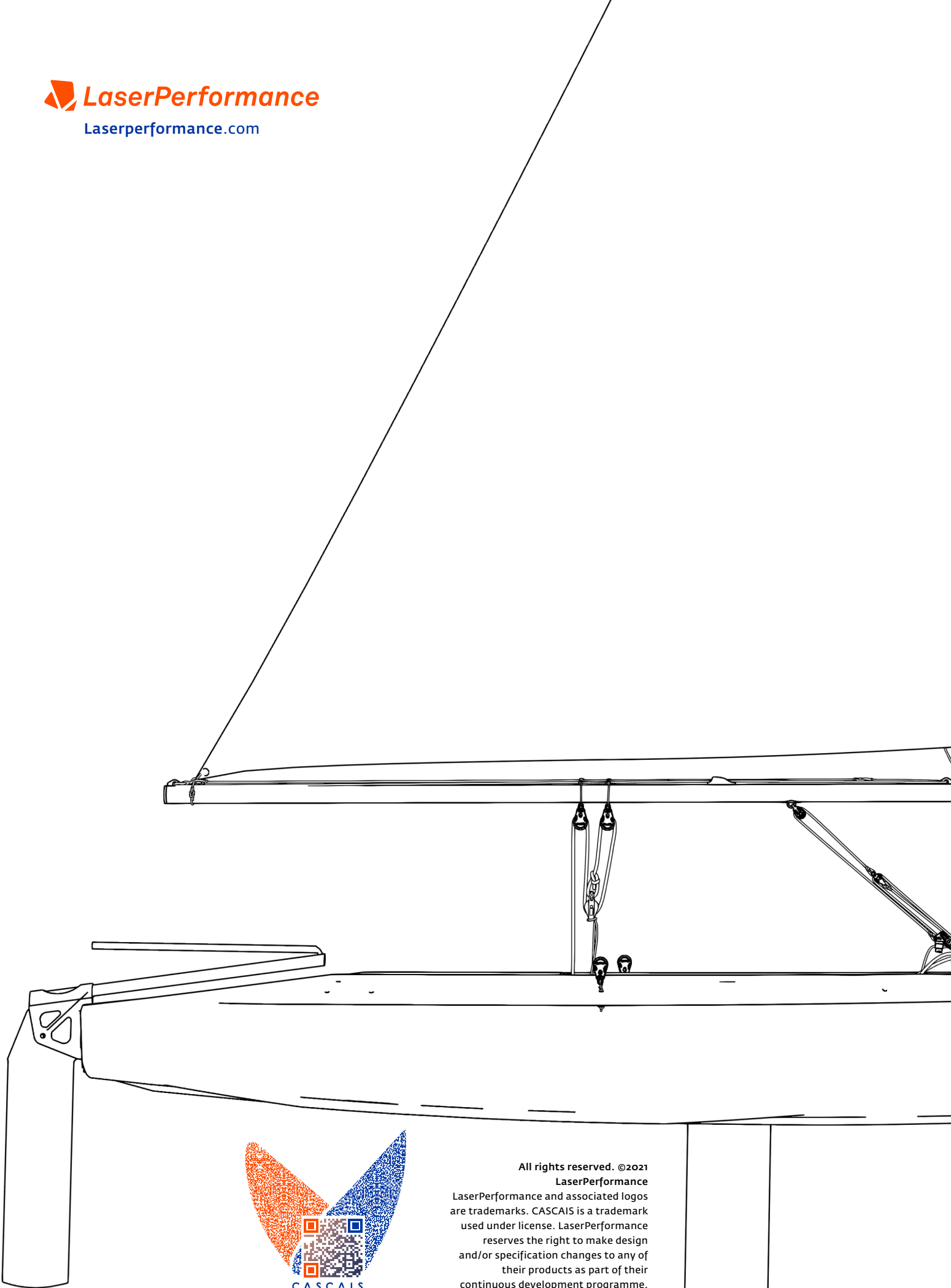
FOILS



CASCAIS FUN PARTS LOCATOR

PART NUMBER	PART NAME
L10LO00	ALUMINUM DAGGERBOARD KIT
L61LO03	ALUMINUM DAGGERBOARD BLADE
L61LO04	ALUMINUM DAGGERBOARD END CAP
L11U016	DAGGERBOARD SHOCKORD HOOK
85309	ALUMINUM RUDDER KIT
85111	ALUMINUM RUDDER BLADE
85130	RUDDER HEAD
85205	TILLER
85318	TILLER EXTENSION





All rights reserved. ©2021
LaserPerformance
LaserPerformance and associated logos
are trademarks. CASCAIS is a trademark
used under license. LaserPerformance
reserves the right to make design
and/or specification changes to any of
their products as part of their
continuous development programme.